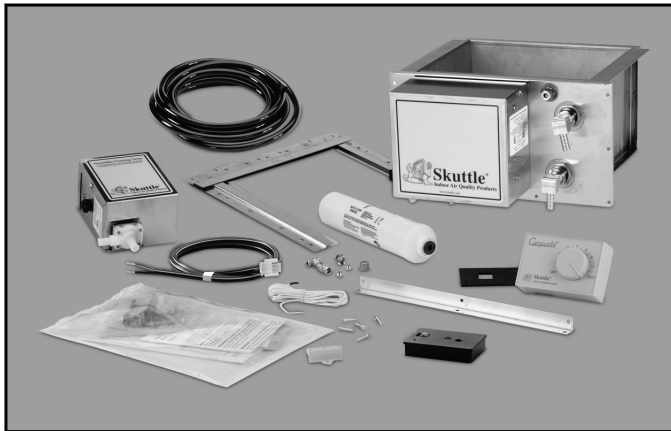


# Models F60-1 and F60-2

## High-Capacity Steam Humidifiers

Perfect for Heat Pumps and High-Efficiency Heating Systems



**Installation Package** includes installation/operating/maintenance instructions, mounting bracket, safety control shutoff and *Compustat* automatic humidifier control. Also included are a Skuttle automatic flushing timer and a chlorine removal filter.

**Important:** A relay (not supplied) may be required for installation of the thermal fan interlock control.

### F60-1 Moisture Output Capacity

- Pounds per Hour ..... 4.5
- Gallons per Hour ..... 0.54
- Gallons per Day (GPD) ..... 13.0

### F60-2 Moisture Output Capacity

- Pounds per Hour ..... 5.9
- Gallons per Hour ..... 0.71
- Gallons per Day (GPD) ..... 17.0

### Size Specifications

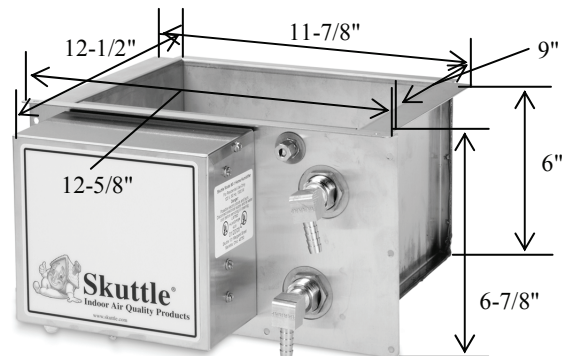
- Dimensions ..... (See photo, right)
- Duct Opening ..... 10-1/2" x 8"

### Heating Element Specifications

- F60-1 Internal Heat Source..... 1.5 kw, 120V, 12.5 amps  
incoloy sheathed element
- F60-2 Internal Heat Source..... 2.0 kw, 240V, 8.3 amps  
incoloy sheathed element

### Recent Enhancements to Skuttle Steam Humidifiers Include:

- a longer, reconfigured **heating element**, which decreases watt density and reduces premature burnout
- an **extended, two-year warranty** on the heating element
- **Compustat**, an electronic, temperature-sensing humidistat, to automatically compensate for outdoor temperature changes
- a **safety control shutoff** to prevent the humidifier from operating if the furnace blower fails
- a **mounting bracket** that serves as a fixed template and creates a drawer-like frame on the ductwork for easy installation and service
- a **3/8" barbed, brass overflow fitting** for fast, secure tubing installation
- a **316 stainless steel float** to provide improved corrosion resistance
- a **new, improved automatic flushing timer**, which flushes the humidifier every two hours



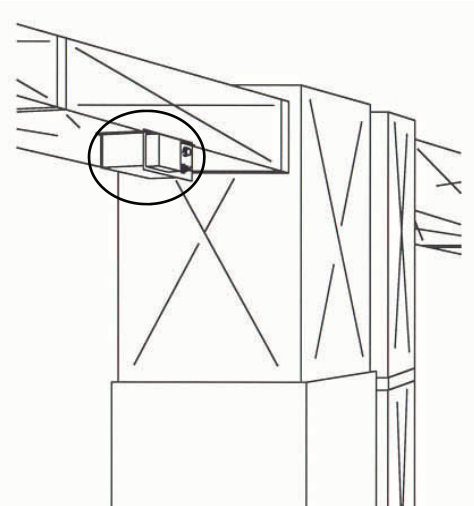
**NOTE:** Ratings and calculations are in compliance with ARI Formula 610:

- Ceiling Height ..... 8 feet
- Bonnet Temperature ..... 120°F
- Return Air ..... 75°F, 30% RH
- Total Static Pressure ..... 0.20 inches

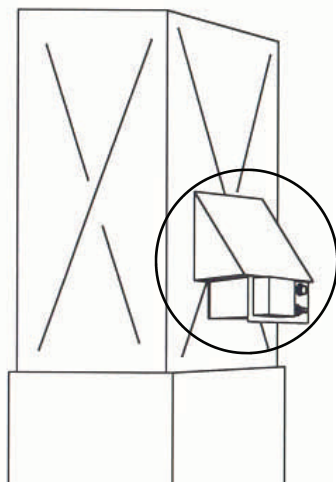
## F60-1/F60-2 Features & Benefits

- Same as the 60-1 and 60-2, but with a new, improved Skuttle automatic flushing timer and a chlorine removal filter
- **Thermal fan interlock control** allows unit to provide humidity independent of the furnace's heating cycle—ideal when stabilized humidity is critical
- **Corrosion-resistant, low-water cutoff switch** and **built-in overflow protector** provide peace of mind
- **Energy efficient technology** uses minimal water
- **60-1 output capacity** of 13 gallons per day at 120°F
- **60-2 output capacity** of 17 gallons per day at 120°F
- (See “Recent Enhancements” on previous page)

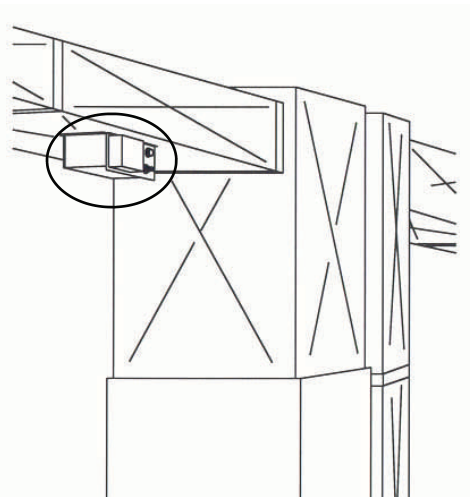
## Typical Installations



Duct Edge Mount



External Side Mount



Duct Center Mount

## Home/Humidifier Sizing Chart

	Tight House	Average House	Loose House
<b>60-1</b> @ 13 GPD	<u>3,095 sq. ft.</u> or 24,762 cu. ft.	<u>1,970 sq. ft.</u> or 15,758 cu. ft.	<u>1,413 sq. ft.</u> or 11,304 cu. ft.
<b>60-2</b> @ 17 GPD	<u>4,048 sq. ft.</u> or 32,381 cu. ft.	<u>2,576 sq. ft.</u> or 20,606 cu. ft.	<u>1,848 sq. ft.</u> or 14,783 cu. ft.

**Tight House** = Insulated walls and ceilings; vapor barriers; weather stripping on doors and windows; snug doors, windows and fireplace damper. One-half air change per hour.

**Average House** = Insulated walls and ceilings; vapor barriers; loose doors, windows and fireplace damper. One air change per hour.

**Loose House** = No insulation, storm doors, storm windows, weather stripping or vapor barriers. Two air changes per hour.

**NOTE:** Due to Skuttle's continuing research, design specifications and components are subject to change without notice.