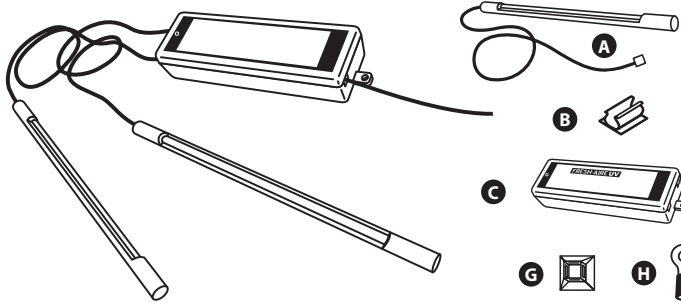


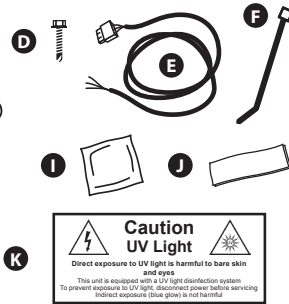
Germicidal UV Light Installation Instructions

Skuttle Mini UV improves indoor air quality and fights biological contamination inside the air handling system. It extends the life of the air system and reduces maintenance costs.



Parts Included

- A** UV Lamps
- B** Lamp Clips
- C** Power Supply
- D** Self-tapping Screws
- E** Power Harness
- F** Zip Ties
- G** Zip Tie Base
- H** Ring Connectors
- I** Alcohol Wipe
- J** Adhesive Tape
- K** UV Warning Sticker



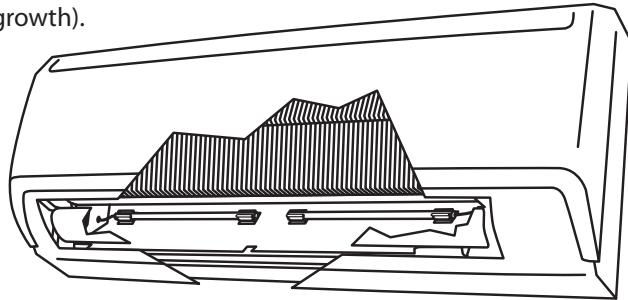
IMPORTANT!

- Only qualified technicians should install this product
- Install in accordance with relevant building codes
- Read instructions carefully including safety warnings

© 2016 Skuttle UV

Installation Notes

Mini UV is typically used for mini split systems and other limited space applications. Because space is tight the best place for mounting the UV lights is usually inside the supply vent with the light shining onto the blower wheel (which is prone to the worst mold growth).



Cutaway view of typical Mini UV® installation in mini split



WARNING
PROTECT EYES FROM UV LIGHT
TURN OFF UNIT OR DISCONNECT
BEFORE SERVICING

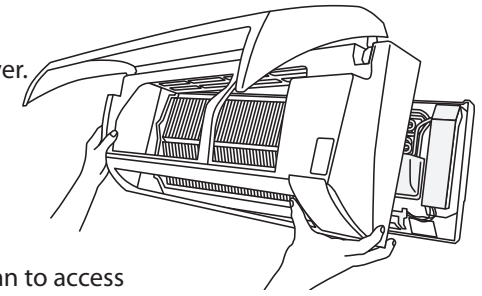
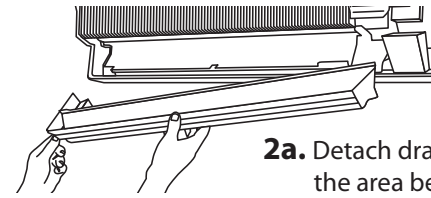


IMPORTANT!

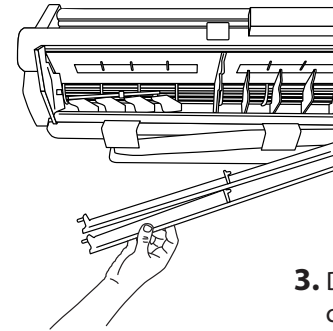
Orient the UV lamps so that the light shines into the air system, not into the room

Air System Preparation

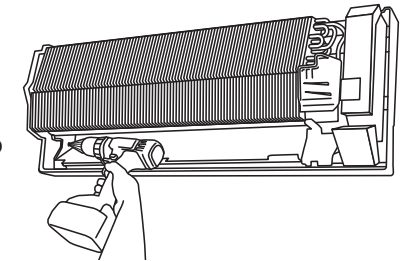
1. Remove cover.



2a. Detach drain pan to access the area behind it.



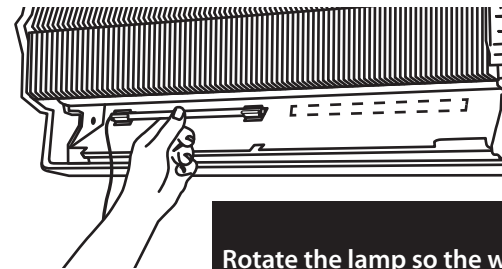
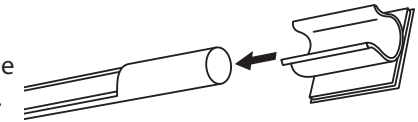
2b. For systems with non-removable drain pan, remove louvers and baffles to access the area behind.



3. Drill holes to pass lamp cables through to back of unit as needed.

UV Lamp Mounting

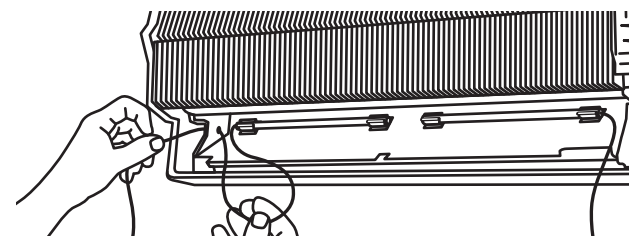
1. Determine the best location for the UV lamp clips and clean that area with the alcohol wipe. Slide the mounting brackets onto the ends of the UV lamps.



2. Peel off paper from the adhesive backing on the mounting brackets. Press the lamp with lamp clips firmly in place about 2" from blower wheel.

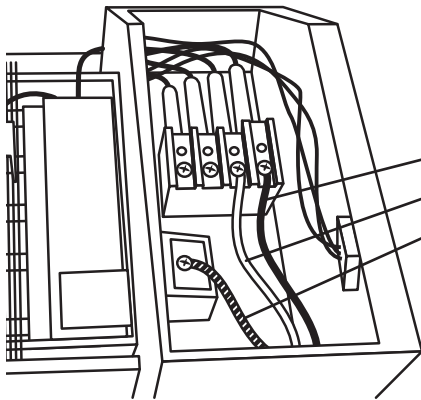
IMPORTANT!

Rotate the lamp so the warning sticker is visible and the UV light shines on blower wheel and mold prone areas, **NOT INTO THE ROOM.**



3. Pass the UV lamp cables through to the back of the AC system.

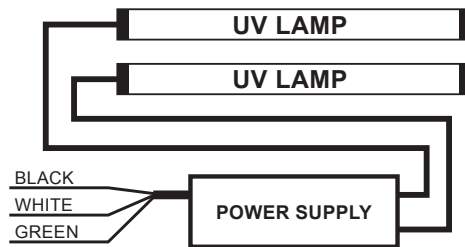
Power Supply Installation



1. Remove the control box cover and connect the wiring harness as shown.

- 00-0MUV-220 ballast wiring
- Black/brown to line 1
- White/blue to line 2
- Green/yellow to ground

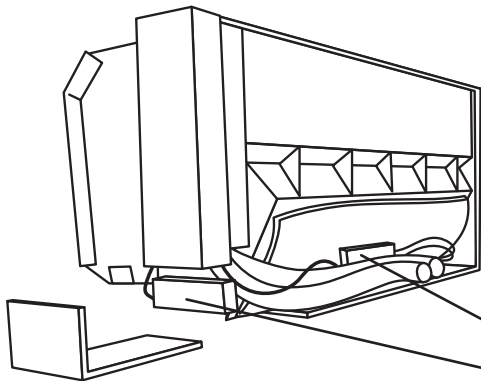
2. Wiring Diagram*



Note: Some indoor systems may require additional wiring to provide line voltage to the Mini UV™ power supply.

* Mini UV comes with one power supply, 120 or 230 VAC, confirm before installation.

3. Insert the UV lamp cable connectors and wiring harness connector into the power supply.



4. Tuck the power supply into the line chase on the back of the ac unit or place it in or under the control box or other secure location.

5. Return power to the system and confirm that Mini UV is working.

6. Apply the UV warning sticker in an appropriate location.

Note: It can take up to 10 minutes for the UV lamp to warm up and fully illuminate.

LED Power Indicator

When the LED indicator is lit it confirms that the system is receiving power. It does not indicate lamp status.



Lamp Replacement

The germicidal UV lamp in Mini UV needs to be replaced every year. Germicidal effectiveness falls off over time so UV lamp replacement is necessary even if the lamps continue to emit visible light after a year.

Replace lamp only with part #000-MUVB-220

Note: Use of replacement UV lamps other than Skuttle UV® voids warranty.

Caution: UV lamps contain small amounts of mercury - dispose of lamps in accordance with local environmental regulations.

For more information visit www.lamprecycle.org

Manufacturer's Warranty:

This warranty supersedes and replaces any warranty statements orally made by the Sales Person, Distributor or Dealer or contained in the written instructions or other Brochures or informational documents in relation to this product. This warranty gives you specific legal rights, and you may also have other rights which vary from State to State.

What Does This Warranty Cover? This five (5) year limited manufacturer warranty covers any defects or malfunctions in material and workmanship under the normal use and service when operated and maintained in strict accordance with manufacturer's instructions for the Lifetime of the equipment.

How Long Does The Coverage Last? 1) Skuttle UV Power Supply: For as long as you own the real property where the product is installed. 2) TUVL-MINI Series Ultraviolet Lamp is warranted for germicidal output for one (1) year from the date of installation. This warranty is not transferable.

What Will Skuttle Mfg. Co. Do? Skuttle will replace any defective or malfunctioning part at no charge. You must pay any labor charges and shipping charges of defective product to our warranty department.

What Does This Warranty Not Cover? THIS PRODUCT IS NOT INTENDED TO BE PURCHASED AND INSTALLED BY UNLICENSED HVAC OR ELECTRICAL CONTRACTORS. This warranty does not cover products or parts purchased from any source other than licensed HVAC or electrical contractors. This warranty does not cover parts installed by unlicensed HVAC or electrical contractors. This warranty does not cover parts damaged as a result of misuse, abuse, or any use other than its intended use, accident, acts of god, neglect, or from improper operation, maintenance, installation, modification or adjustments. Skuttle Mfg. Co. shall have no responsibility for charges incurred by the customer for installation or removal of warranted items.

This warranty does not cover parts or equipment used with the Skuttle UV system that are not manufactured by Skuttle Mfg. Co.

**This warranty shall be void if UV lamps from manufacturer's other than Skuttle Mfg. Co. are used with this equipment.

Consequential and incidental damages are not recoverable under this warranty. Manufacturer assumes no liability for any harm, which may occur as a result of the use of the equipment herein and shall not be liable for consequential or any other damages whether or not caused by manufacturer's negligence or resulting from any express or implied warranty or breach thereof. Consequential damages for the purpose of this warranty shall include, but not be limited to, loss of use, income or profit, or loss of or damages to property or injury or death to persons or animals occasioned by or arising out of operation, use, the operation, installation, repair or replacement of the equipment or otherwise. Some states do not allow the exclusion or limitation of incidental or consequential damages, so the above limitation or exclusion may not apply to you.

There are no Warranties which extend beyond the description of the face hereof.

How Do You Get Service? In order to be eligible for service under this warranty you MUST return the warranty registration card or register online at www.skuttle.com. If something is wrong with your product, call your installing contractor to receive a Return Merchandise Authorization (RMA) and instructions for returning the product to a licensed distributor in your area or the manufacturer.

Once the product is returned, we will inspect your product and contact you within 10 business days of our receipt of the product to give the results of our inspection. If we determine that the product is covered under this warranty, we will ship to you at no additional cost a replacement part. Replacement parts may be refurbished. If we determine that the product is not covered under this warranty, or that this warranty is void, the product will be returned to you COD. There is no charge for inspection.

How Does State Law Apply? This warranty gives you specific legal rights, and you may also have other rights which vary from state to state.